

**Features**

- 1-channel signal conditioner
- 230 V AC supply
- Level sensing input
- Adjustable range 1 kΩ ... 30 kΩ
- Latching relay output
- Minimum/maximum control

**Function**

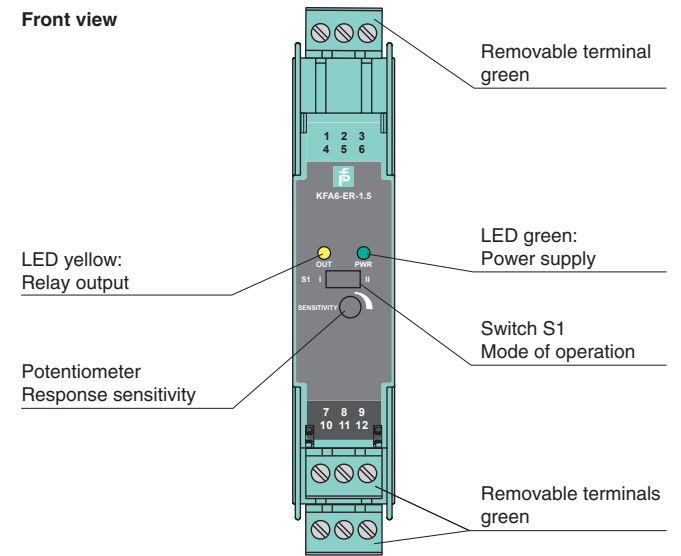
This signal conditioner provides the AC measuring voltage for the level-sensing electrodes.

Once the measured medium reaches the electrodes, the unit reacts by energizing a form C changeover relay contact.

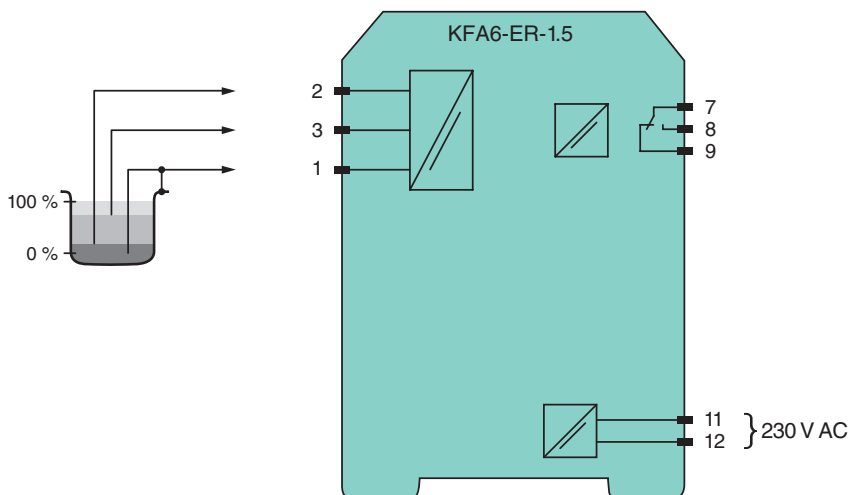
The module is voltage and temperature stabilized and guarantees defined switching characteristics. An electronic holding circuit is used that allows minimum/maximum control. Since the conductance of the media may vary, the relay response sensitivity is adjustable.

The normal output state can be reversed through the mode of operation switch S1.

**Assembly**



**Connection**



Release date 2009-05-06 17:43 Date of issue 2009-05-06 096045\_ENG.xml

<b>General specifications</b>	
Signal type	Digital input
<b>Supply</b>	
Connection	terminals 11 (L1), 12 (N)
Rated voltage	207 ... 253 V AC, 45 ... 65 Hz
Power consumption	approx. 0.8 W
<b>Input</b>	
Connection	terminals 1 (mass), 2 (min), 3 (max)
Open circuit voltage/short-circuit current	approx. 10 V AC (approx. 1 Hz) / approx. 5 mA
Control input	min./max. control system: terminals 1, 2, 3 on/off control system: terminals 1, 3
Response sensitivity	1 ... 30 kΩ , adjustable via potentiometer (20 turns)
<b>Output</b>	
Connection	terminals 7, 8, 9
Output	1 changeover contact
Contact loading	253 V AC/2 A/cos φ > 0.7; 40 V DC/2 A resistive load
Energized/de-energized delay	approx. 1 s / approx. 1 s
<b>Electrical isolation</b>	
Input/output	basic insulation according to EN 50178, rated insulation voltage 253 V <sub>eff</sub>
Input/power supply	basic insulation according to EN 50178, rated insulation voltage 253 V <sub>eff</sub>
Output/power supply	basic insulation according to EN 50178, rated insulation voltage 253 V <sub>eff</sub>
<b>Directive conformity</b>	
Electromagnetic compatibility	
Directive 2004/108/EC	EN 61326-1:2006
Low voltage	
Directive 2006/95/EC	EN 50178:1997
<b>Conformity</b>	
Insulation coordination	EN 50178
Electrical isolation	EN 50178
Electromagnetic compatibility	NE 21
Protection degree	IEC 60529
<b>Ambient conditions</b>	
Ambient temperature	-20 ... 60 °C (253 ... 333 K)
<b>Mechanical specifications</b>	
Protection degree	IP20
Connection	screw connection, max. 2.5 mm <sup>2</sup>
Mass	approx. 110 g
Dimensions	20 x 107 x 115 mm (0.8 x 4.2 x 4.5 in) , housing type B1
Mounting	pull-out latches using for screw mounting
<b>Indication and operation</b>	
Operating elements	switch S1 Position I open circuit current: In the open circuit current principle, the relay becomes active when the limit is reached. Position II closed circuit current: In closed circuit current principle, the relay is activated when power is applied. The relay is deactivated when the limit is reached.
<b>General information</b>	
Supplementary information	Statement of Conformity, Declaration of Conformity and instructions have to be observed where applicable. For information see <a href="http://www.pepperl-fuchs.com">www.pepperl-fuchs.com</a> .

Release date 2009-05-06 17:43 Date of issue 2009-05-06 096045\_ENG.xml