



## LIGHTING THE WAY

# FLUORESCENT LIGHTING FOR ZONE 2 AND 22



## OUR VALUES, OUR GOALS, OUR FOCUS – YOUR BENEFITS

Pepperl+Fuchs the world's leading manufacturer of intrinsically safe explosion protection and electronic sensors acquired UK based Walsall Ltd to expand the Process Automation Division with significant expertise in the development and manufacture of installation equipment for use in hazardous areas and harsh environments.

Walsall Ltd has over one hundred years of UK heritage dating back to the early days of Walsall Conduits PLC, which once dominated the world of mechanical explosion protection equipment. In addition to the hazardous area approved lighting suitable for Zone 2 and 22 installation shown in this brochure, Pepperl+Fuchs has a wide range of complementary products also available. These include:

### Lighting for Zone 1 Applications

A range of general purpose and emergency lighting products suitable for installation in Zone 1 hazardous area locations.

### Enclosures and Terminal Boxes

High quality terminal junction box enclosures in the increased safety, intrinsic safety and flameproof protection classes available in a wide range of sizes and materials such as GRP and Stainless Steel.

### Local Control

A comprehensive range of standard and customised multi function local control stations and control panels are available in GRP, Stainless steel, and Cast Iron Enclosures.

### Hazardous Area Enclosure Solutions

UK based design and build service offering a fully customised explosion proof panel assembly and wiring service using a variety of explosion proof (Exd) and increased safety (Exe) enclosures to house non certified electrical components.



## FLUORESCENT LIGHTING FOR ZONE 2 AND 22 APPLICATIONS

Pepperl+Fuchs offers a wide range of fluorescent lighting suitable for installation in Zone 2 and 22 hazardous area locations. The Elenor product range covers applications for general purpose and emergency lighting with a wide range of single and twin fittings using a design which is simple to install and maintain.

The products are ideally suited to a range of applications and industries including:

- Oil & Gas
- Petrochemical
- Pharmaceutical
- Distilleries
- Water Pumping and Sewerage Treatment
- Agricultural
- Food and Beverage

## ELENOR RANGE



STANDARD FLUORESCENT

▶ P. 04



EMERGENCY FLUORESCENT

▶ P. 16



BULKHEAD

▶ P. 28



ESCAPE ROUTE

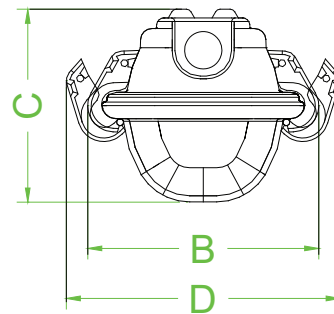
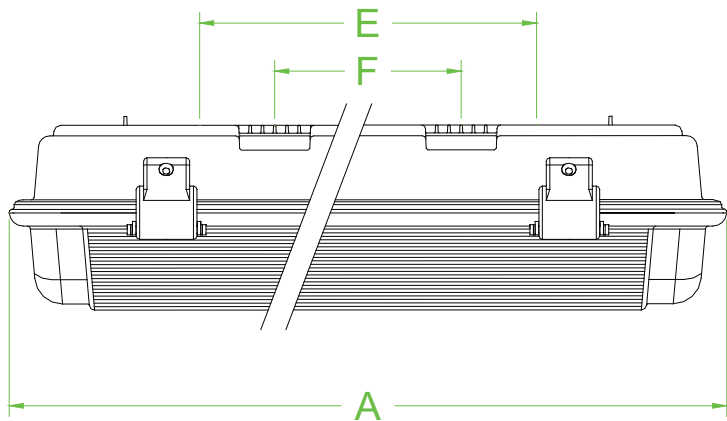
▶ P. 30



### Features

- Power 18 W
- Installation in Zone 2 and Zone 22
- Electronic HF control gear
- Suitable for 220-240V AC 50/60Hz operation
- Multiple locking points on diffuser that can be hinged from both sides
- Fast opening and closing of fitting via snap shut fasteners
- Anti-glare diffuser cover
- Stainless steel surface mounting brackets supplied as standard

### Dimensions (mm)



### Technical data

#### Electrical specifications

Operating voltage	220 ... 240 V 50Hz / 60Hz
Operating current	0.09 A
Terminal capacity	2.5 mm <sup>2</sup> Connection block suitable for through wiring
Control gear	high frequency electronic ballast
Fitting type	Ceiling light fitting
Lamps	T26 bi-pin fluorescent tube
Number of lamps	1
Length	600 mm ( 2 ft )
Power	18 W

#### Mechanical specifications

Cover fixing	stainless steel snap shut fasteners
Protection degree	IP66
Cable entry	
Number of cable entries	2 x M20 1 at each end
Material	
Housing	Polycarbonate
Lamp cover	Polycarbonate
Reflector	0.6 mm Mild steel
Finish	Body: as moulded reflector: epoxy powder coated, white
Seal	polyurethane foam

#### Mass

approx. 1.7 kg

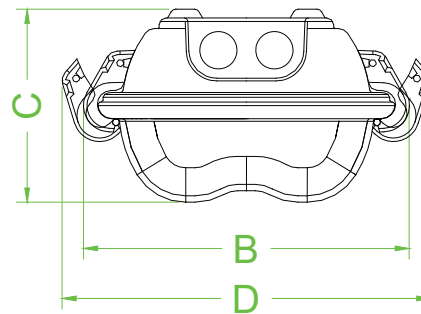
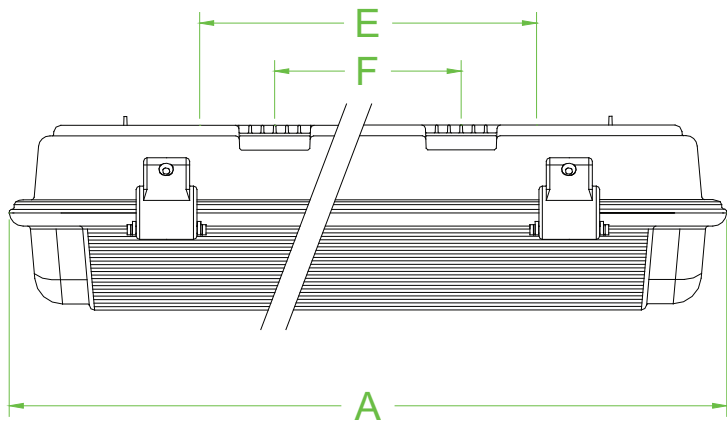
#### Dimensions

A	685 mm
B	119 mm
C	110 mm
D	176 mm

F	340 mm
Mounting	2 x stainless steel removable mounting brackets
Grounding	Internal connection
<b>Ambient conditions</b>	
Ambient temperature	-20 ... 40 °C (-4 ... 104 °F)
<b>Data for application in connection with Ex-areas</b>	
EC-Type Examination Certificate	FTZU 02 ATEX 0313X
Group, category, type of protection, temperature class	⊕ II 3 GD Ex nA tD A II T5 T82°C
<b>International approvals</b>	
GOST-R approval	GOST-R B02432
<b>Conformity</b>	
Protection degree	EN 60529
<b>General information</b>	
Supplementary information	EC-Type Examination Certificate, Statement of Conformity, Declaration of Conformity, Attestation of Conformity and instructions have to be observed where applicable. For information see <a href="http://www.pepperl-fuchs.com">www.pepperl-fuchs.com</a> .
<b>Accessories</b>	
Designation	1 x nylon non-armoured Ex e cable gland 1 x nylon Ex e sealing plug



### Dimensions (mm)



### Features

- Power 2 x 18 W
- Installation in Zone 2 and Zone 22
- Electronic HF control gear
- Suitable for 220-240V AC 50/60Hz operation
- Multiple locking points on diffuser that can be hinged from both sides
- Fast opening and closing of fitting via snap shut fasteners
- Anti-glare diffuser cover
- Stainless steel surface mounting brackets supplied as standard

### Technical data

#### Electrical specifications

Operating voltage	220 ... 240 V 50Hz / 60Hz
Operating current	0.18 A
Terminal capacity	2.5 mm <sup>2</sup> Connection block suitable for through wiring
Control gear	high frequency electronic ballast
Fitting type	Ceiling light fitting
Lamps	T26 bi-pin fluorescent tube
Number of lamps	2
Length	600 mm ( 2 ft )
Power	2 x 18 W

#### Mechanical specifications

Cover fixing	stainless steel snap shut fasteners
Protection degree	IP66
Cable entry	
Number of cable entries	4 x M20 2 at each end
Material	
Housing	Polycarbonate
Lamp cover	Polycarbonate
Reflector	0.6 mm Mild steel
Finish	Body: as moulded reflector: epoxy powder coated, white
Seal	polyurethane foam
Mass	approx. 2.2 kg
Dimensions	
A	685 mm
B	173 mm
C	110 mm
D	230 mm

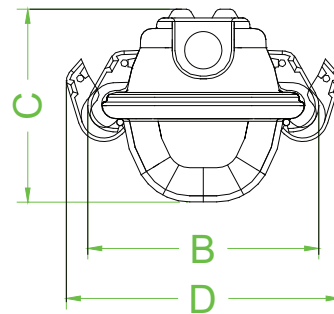
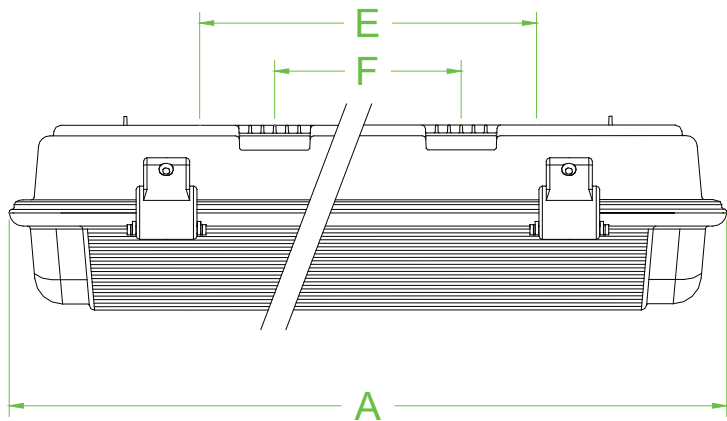
F	340 mm
Mounting	2 x stainless steel removable mounting brackets
Grounding	Internal connection
<b>Ambient conditions</b>	
Ambient temperature	-20 ... 40 °C (-4 ... 104 °F)
<b>Data for application in connection with Ex-areas</b>	
EC-Type Examination Certificate	FTZU 02 ATEX 0313X
Group, category, type of protection, temperature class	⊕ II 3 GD Ex nA tD A II T5 T82°C
<b>International approvals</b>	
GOST-R approval	GOST-R B02432
<b>Conformity</b>	
Protection degree	EN 60529
<b>General information</b>	
Supplementary information	EC-Type Examination Certificate, Statement of Conformity, Declaration of Conformity, Attestation of Conformity and instructions have to be observed where applicable. For information see <a href="http://www.pepperl-fuchs.com">www.pepperl-fuchs.com</a> .
<b>Accessories</b>	
Designation	1 x nylon non-armoured Ex e cable gland 1 x nylon Ex e sealing plug



### Features

- Power 36 W
- Installation in Zone 2 and Zone 22
- Electronic HF control gear
- Suitable for 220-240V AC 50/60Hz operation
- Multiple locking points on diffuser that can be hinged from both sides
- Fast opening and closing of fitting via snap shut fasteners
- Anti-glare diffuser cover
- Stainless steel surface mounting brackets supplied as standard

### Dimensions (mm)



### Technical data

#### Electrical specifications

Operating voltage	220 ... 240 V 50Hz / 60Hz
Operating current	0.16 A
Terminal capacity	2.5 mm <sup>2</sup> Connection block suitable for through wiring
Control gear	high frequency electronic ballast
Fitting type	Ceiling light fitting
Lamps	T26 bi-pin fluorescent tube
Number of lamps	1
Length	1200 mm ( 4 ft )
Power	36 W

#### Mechanical specifications

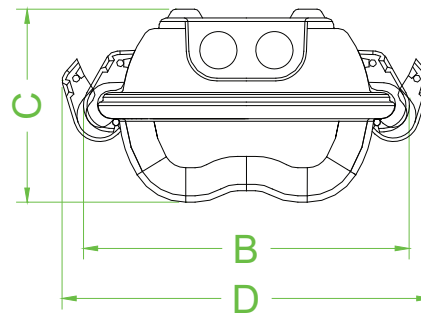
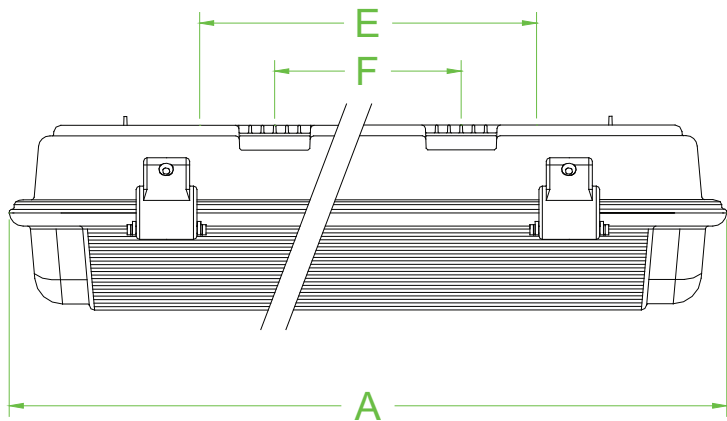
Cover fixing	stainless steel snap shut fasteners
Protection degree	IP66
Cable entry	
Number of cable entries	2 x M20 1 at each end
Material	
Housing	Polycarbonate
Lamp cover	Polycarbonate
Reflector	0.6 mm Mild steel
Finish	Body: as moulded reflector: epoxy powder coated, white
Seal	polyurethane foam
Mass	approx. 3 kg
Dimensions	
A	1290 mm
B	119 mm
C	110 mm
D	176 mm



F	700 mm
Mounting	2 x stainless steel removable mounting brackets
Grounding	Internal connection
<b>Ambient conditions</b>	
Ambient temperature	-20 ... 40 °C (-4 ... 104 °F)
<b>Data for application in connection with Ex-areas</b>	
EC-Type Examination Certificate	FTZU 02 ATEX 0313X
Group, category, type of protection, temperature class	⊕ II 3 GD Ex nA tD A II T5 T86°C
<b>International approvals</b>	
GOST-R approval	GOST-R B02432
<b>Conformity</b>	
Protection degree	EN 60529
<b>General information</b>	
Supplementary information	EC-Type Examination Certificate, Statement of Conformity, Declaration of Conformity, Attestation of Conformity and instructions have to be observed where applicable. For information see <a href="http://www.pepperl-fuchs.com">www.pepperl-fuchs.com</a> .
<b>Accessories</b>	
Designation	1 x nylon non-armoured Ex e cable gland 1 x nylon Ex e sealing plug



### Dimensions (mm)



### Features

- Power 2 x 36 W
- Installation in Zone 2 and Zone 22
- Electronic HF control gear
- Suitable for 220-240V AC 50/60Hz operation
- Multiple locking points on diffuser that can be hinged from both sides
- Fast opening and closing of fitting via snap shut fasteners
- Anti-glare diffuser cover
- Stainless steel surface mounting brackets supplied as standard

### Technical data

#### Electrical specifications

Operating voltage	220 ... 240 V 50Hz / 60Hz
Operating current	0.32 A
Terminal capacity	2.5 mm <sup>2</sup> Connection block suitable for through wiring
Control gear	high frequency electronic ballast
Fitting type	Ceiling light fitting
Lamps	T26 bi-pin fluorescent tube
Number of lamps	2
Length	1200 mm ( 4 ft )
Power	2 x 36 W

#### Mechanical specifications

Cover fixing	stainless steel snap shut fasteners
Protection degree	IP66
Cable entry	
Number of cable entries	4 x M20 2 at each end
Material	
Housing	Polycarbonate
Lamp cover	Polycarbonate
Reflector	0.6 mm Mild steel
Finish	Body: as moulded reflector: epoxy powder coated, white
Seal	polyurethane foam
Mass	approx. 3.6 kg
Dimensions	
A	1290 mm
B	173 mm
C	110 mm
D	230 mm

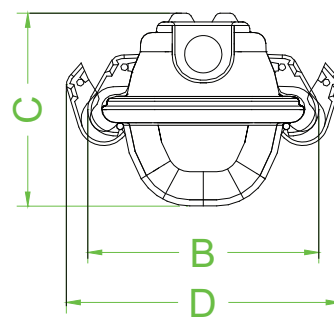
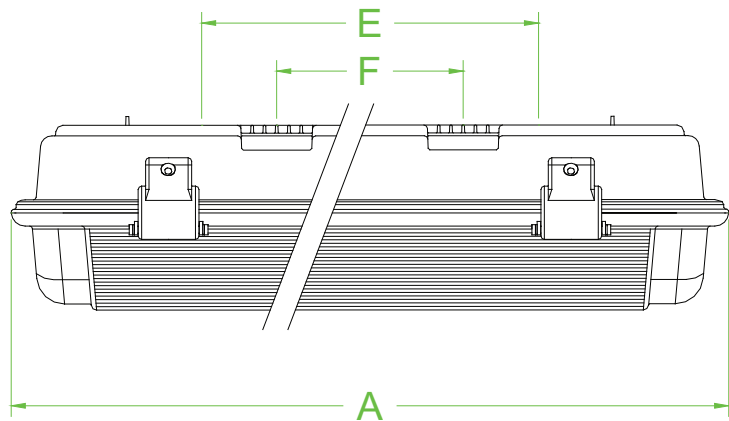
F	700 mm
Mounting	2 x stainless steel removable mounting brackets
Grounding	Internal connection
<b>Ambient conditions</b>	
Ambient temperature	-20 ... 40 °C (-4 ... 104 °F)
<b>Data for application in connection with Ex-areas</b>	
EC-Type Examination Certificate	FTZU 02 ATEX 0313X
Group, category, type of protection, temperature class	⊕ II 3 GD Ex nA tD A II T5 T86°C
<b>International approvals</b>	
GOST-R approval	GOST-R B02432
<b>Conformity</b>	
Protection degree	EN 60529
<b>General information</b>	
Supplementary information	EC-Type Examination Certificate, Statement of Conformity, Declaration of Conformity, Attestation of Conformity and instructions have to be observed where applicable. For information see <a href="http://www.pepperl-fuchs.com">www.pepperl-fuchs.com</a> .
<b>Accessories</b>	
Designation	1 x nylon non-armoured Ex e cable gland 3 x nylon Ex e sealing plugs



### Features

- Power 58 W
- Installation in Zone 2 and Zone 22
- Electronic HF control gear
- Suitable for 220-240V AC 50/60Hz operation
- Multiple locking points on diffuser that can be hinged from both sides
- Fast opening and closing of fitting via snap shut fasteners
- Anti-glare diffuser cover
- Stainless steel surface mounting brackets supplied as standard

### Dimensions (mm)



### Technical data

#### Electrical specifications

Operating voltage	220 ... 240 V 50Hz / 60Hz
Operating current	0.27 A
Terminal capacity	2.5 mm <sup>2</sup> Connection block suitable for through wiring
Control gear	high frequency electronic ballast
Fitting type	Ceiling light fitting
Lamps	T26 bi-pin fluorescent tube
Number of lamps	1
Length	1500 mm ( 5 ft )
Power	58 W

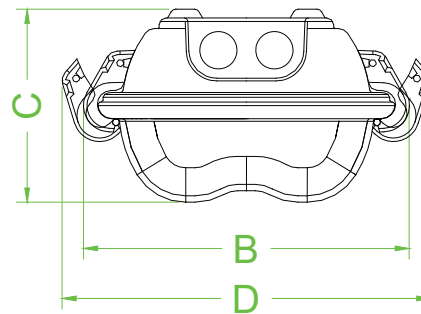
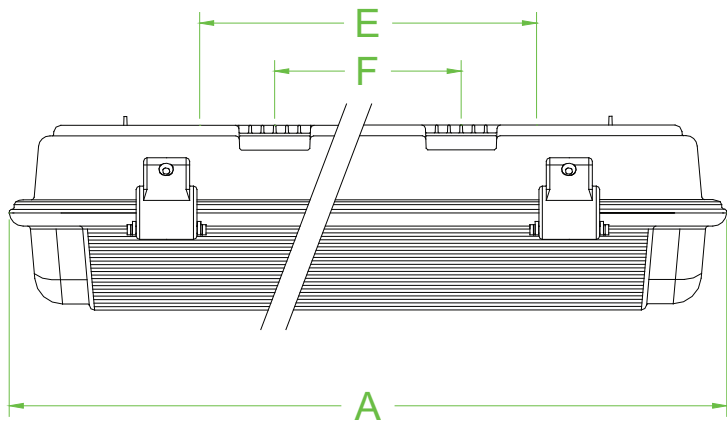
#### Mechanical specifications

Cover fixing	stainless steel snap shut fasteners
Protection degree	IP66
Cable entry	
Number of cable entries	2 x M20 1 at each end
Material	
Housing	Polycarbonate
Lamp cover	Polycarbonate
Reflector	0.6 mm Mild steel
Finish	Body: as moulded reflector: epoxy powder coated, white
Seal	polyurethane foam
Mass	approx. 3.3 kg
Dimensions	
A	1590 mm
B	119 mm
C	110 mm
D	176 mm

F	1000 mm
Mounting	2 x stainless steel removable mounting brackets
Grounding	Internal connection
<b>Ambient conditions</b>	
Ambient temperature	-20 ... 40 °C (-4 ... 104 °F)
<b>Data for application in connection with Ex-areas</b>	
EC-Type Examination Certificate	FTZU 02 ATEX 0313X
Group, category, type of protection, temperature class	Ⓔ II 3 GD Ex nA tD A II T5 T92°C
<b>International approvals</b>	
GOST-R approval	GOST-R B02432
<b>Conformity</b>	
Protection degree	EN 60529
<b>General information</b>	
Supplementary information	EC-Type Examination Certificate, Statement of Conformity, Declaration of Conformity, Attestation of Conformity and instructions have to be observed where applicable. For information see <a href="http://www.pepperl-fuchs.com">www.pepperl-fuchs.com</a> .
<b>Accessories</b>	
Designation	1 x nylon non-armoured Ex e cable gland 1 x nylon Ex e sealing plug



### Dimensions (mm)



### Features

- Power 2 x 58 W
- Installation in Zone 2 and Zone 22
- Electronic HF control gear
- Suitable for 220-240V AC 50/60Hz operation
- Multiple locking points on diffuser that can be hinged from both sides
- Fast opening and closing of fitting via snap shut fasteners
- Anti-glare diffuser cover
- Stainless steel surface mounting brackets supplied as standard

### Technical data

#### Electrical specifications

Operating voltage	220 ... 240 V 50Hz / 60Hz
Operating current	0.51 A
Terminal capacity	2.5 mm <sup>2</sup> Connection block suitable for through wiring
Control gear	high frequency electronic ballast
Fitting type	Ceiling light fitting
Lamps	T26 bi-pin fluorescent tube
Number of lamps	2
Length	1500 mm ( 5 ft )
Power	2 x 58 W

#### Mechanical specifications

Cover fixing	stainless steel snap shut fasteners
Protection degree	IP66
Cable entry	
Number of cable entries	4 x M20 2 at each end
Material	
Housing	Polycarbonate
Lamp cover	Polycarbonate
Reflector	0.6 mm Mild steel
Finish	Body: as moulded reflector: epoxy powder coated, white
Seal	polyurethane foam
Mass	approx. 4.8 kg
Dimensions	
A	1590 mm
B	173 mm
C	110 mm
D	230 mm

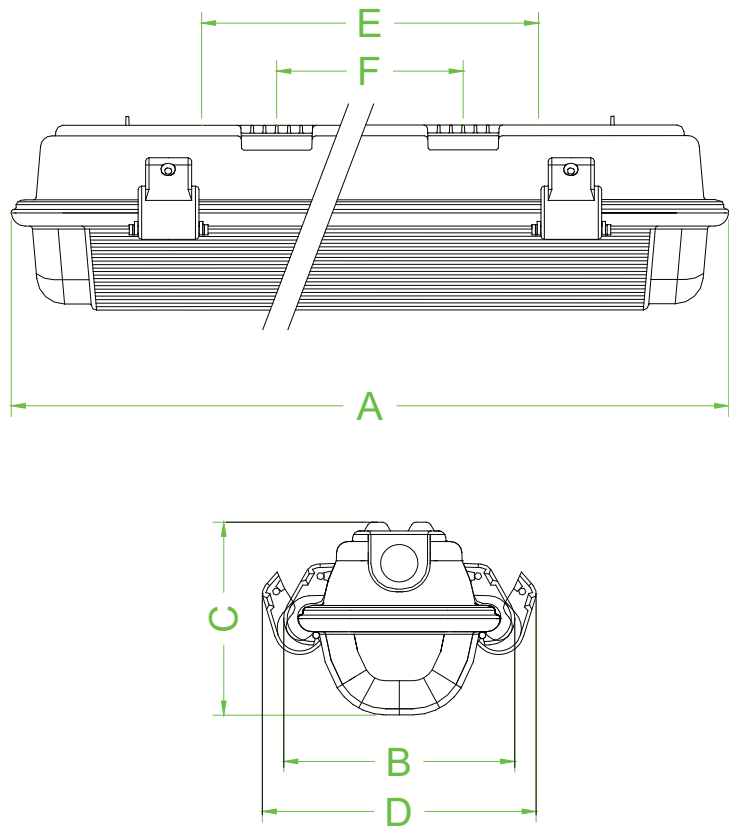
<b>F</b>	1000 mm
Mounting	2 x stainless steel removable mounting brackets
Grounding	Internal connection
<b>Ambient conditions</b>	
Ambient temperature	-20 ... 40 °C (-4 ... 104 °F)
<b>Data for application in connection with Ex-areas</b>	
EC-Type Examination Certificate	FTZU 02 ATEX 0313X
Group, category, type of protection, temperature class	⊕ II 3 GD Ex nA tD A II T5 T93°C
<b>International approvals</b>	
GOST-R approval	GOST-R B02432
<b>Conformity</b>	
Protection degree	EN 60529
<b>General information</b>	
Supplementary information	EC-Type Examination Certificate, Statement of Conformity, Declaration of Conformity, Attestation of Conformity and instructions have to be observed where applicable. For information see <a href="http://www.pepperl-fuchs.com">www.pepperl-fuchs.com</a> .
<b>Accessories</b>	
Designation	1 x nylon non-armoured Ex e cable gland 3 x nylon Ex e sealing plugs



### Features

- Power 18 W
- Installation in Zone 2 and Zone 22
- Electronic HF control gear
- Multiple locking points on diffuser that can be hinged from both sides
- Fast opening and closing of fitting via snap shut fasteners
- Anti-glare diffuser cover
- Stainless steel surface mounting brackets supplied as standard
- Minimum of 3 hour duration in emergency mode

### Dimensions (mm)



### Technical data

#### Electrical specifications

Operating voltage	220 ... 240 V 50Hz / 60Hz
Operating current	0.09 A
Terminal capacity	2.5 mm <sup>2</sup> Connection block suitable for through wiring
Control gear	high frequency electronic ballast
Fitting type	Ceiling light fitting
Lamps	T26 bi-pin fluorescent tube
Number of lamps	1
Length	600 mm ( 2 ft )
Power	18 W
Emergency operation	non-maintained
Operation time	3 h

#### Mechanical specifications

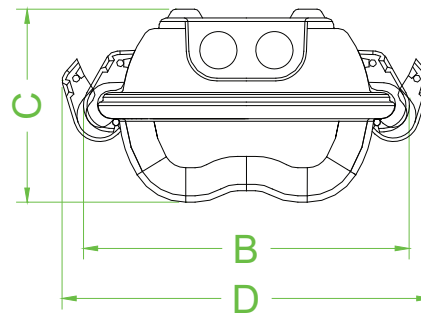
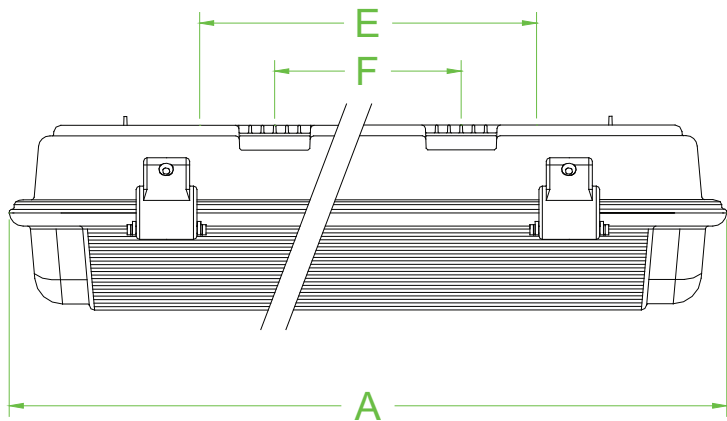
Cover fixing	stainless steel snap shut fasteners
Protection degree	IP66
Cable entry	
Number of cable entries	2 x M20 1 at each end
Material	
Housing	Polycarbonate
Lamp cover	Polycarbonate
Reflector	0.6 mm Mild steel
Finish	Body: as moulded reflector: epoxy powder coated, white
Seal	polyurethane foam
Mass	approx. 2.3 kg
Dimensions	
A	685 mm
B	119 mm



C	110 mm
D	176 mm
F	340 mm
Mounting	2 x stainless steel removable mounting brackets
Grounding	Internal connection
<b>Ambient conditions</b>	
Ambient temperature	0 ... 30 °C (32 ... 86 °F)
<b>Data for application in connection with Ex-areas</b>	
EC-Type Examination Certificate	FTZU 05 ATEX 0200X
Group, category, type of protection, temperature class	⊕ II 3 GD Ex nA tD A II T5 T42°C
<b>International approvals</b>	
GOST-R approval	GOST-R B02432
<b>Conformity</b>	
Protection degree	EN 60529
<b>General information</b>	
Supplementary information	EC-Type Examination Certificate, Statement of Conformity, Declaration of Conformity, Attestation of Conformity and instructions have to be observed where applicable. For information see <a href="http://www.pepperl-fuchs.com">www.pepperl-fuchs.com</a> .
<b>Accessories</b>	
Designation	1 x nylon non-armoured Ex e cable gland 1 x nylon Ex e sealing plug



### Dimensions (mm)



### Features

- Power 2 x 18 W
- Installation in Zone 2 and Zone 22
- Electronic HF control gear
- Suitable for 220-240V AC 50/60Hz operation
- Multiple locking points on diffuser that can be hinged from both sides
- Fast opening and closing of fitting via snap shut fasteners
- Anti-glare diffuser cover
- Stainless steel surface mounting brackets supplied as standard
- Minimum of 3 hour duration in emergency mode

### Technical data

#### Electrical specifications

Operating voltage	220 ... 240 V 50Hz / 60Hz
Operating current	0.18 A
Terminal capacity	2.5 mm <sup>2</sup> Connection block suitable for through wiring
Control gear	high frequency electronic ballast
Fitting type	Ceiling light fitting
Lamps	T26 bi-pin fluorescent tube
Number of lamps	2
Length	600 mm ( 2 ft )
Power	2 x 18 W
Emergency operation	maintained
Operation time	3 h

#### Mechanical specifications

Cover fixing	stainless steel snap shut fasteners
Protection degree	IP66
Cable entry	
Number of cable entries	4 x M20 2 at each end
Material	
Housing	Polycarbonate
Lamp cover	Polycarbonate
Reflector	0.6 mm Mild steel
Finish	Body: as moulded reflector: epoxy powder coated, white
Seal	polyurethane foam
Mass	approx. 2.9 kg
Dimensions	
A	685 mm
B	173 mm

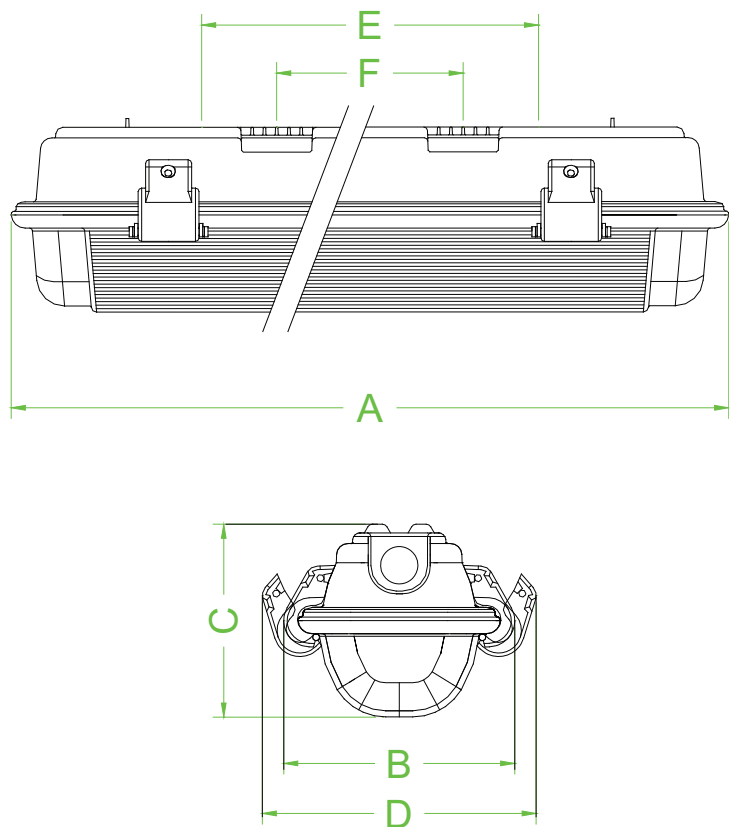
C	110 mm
D	230 mm
F	340 mm
Mounting	2 x stainless steel removable mounting brackets
Grounding	Internal connection
<b>Ambient conditions</b>	
Ambient temperature	0 ... 30 °C (32 ... 86 °F)
<b>Data for application in connection with Ex-areas</b>	
EC-Type Examination Certificate	FTZU 05 ATEX 0200X
Group, category, type of protection, temperature class	⊕ II 3 GD Ex nA tD A II T5 T75°C
<b>International approvals</b>	
GOST-R approval	GOST-R B02432
<b>Conformity</b>	
Protection degree	EN 60529
<b>General information</b>	
Supplementary information	EC-Type Examination Certificate, Statement of Conformity, Declaration of Conformity, Attestation of Conformity and instructions have to be observed where applicable. For information see <a href="http://www.pepperl-fuchs.com">www.pepperl-fuchs.com</a> .
<b>Accessories</b>	
Designation	1 x nylon non-armoured Ex e cable gland 3 x nylon Ex e sealing plugs



### Features

- Power 36 W
- Installation in Zone 2 and Zone 22
- Electronic HF control gear
- Suitable for 220-240V AC 50/60Hz operation
- Multiple locking points on diffuser that can be hinged from both sides
- Fast opening and closing of fitting via snap shut fasteners
- Anti-glare diffuser cover
- Stainless steel surface mounting brackets supplied as standard
- Minimum of 3 hour duration in emergency mode

### Dimensions (mm)



### Technical data

#### Electrical specifications

Operating voltage	220 ... 240 V 50Hz / 60Hz
Operating current	0.16 A
Terminal capacity	2.5 mm <sup>2</sup> Connection block suitable for through wiring
Control gear	high frequency electronic ballast
Fitting type	Ceiling light fitting
Lamps	T26 bi-pin fluorescent tube
Number of lamps	1
Length	1200 mm ( 4 ft )
Power	36 W
Emergency operation	maintained
Operation time	3 h

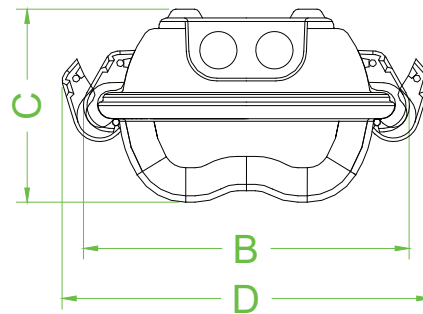
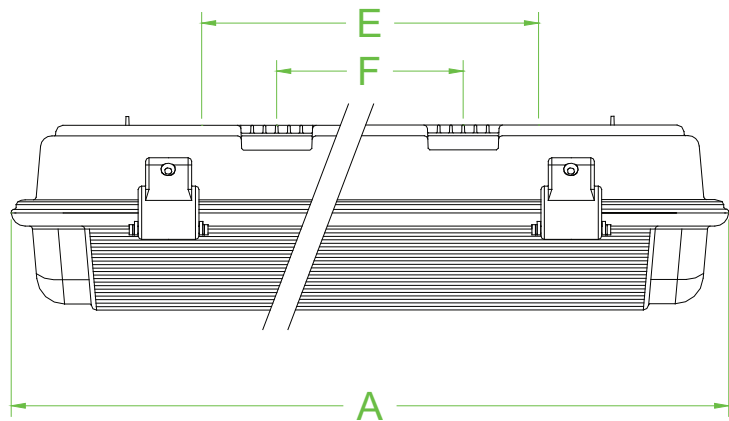
#### Mechanical specifications

Cover fixing	stainless steel snap shut fasteners
Protection degree	IP66
Cable entry	
Number of cable entries	4 x M20 2 at each end
Material	
Housing	Polycarbonate
Lamp cover	Polycarbonate
Reflector	0.6 mm Mild steel
Finish	Body: as moulded reflector: epoxy powder coated, white
Seal	polyurethane foam
Mass	approx. 3.4 kg
Dimensions	
A	1290 mm
B	119 mm

C	110 mm
D	176 mm
F	700 mm
Mounting	2 x stainless steel removable mounting brackets
Grounding	Internal connection
<b>Ambient conditions</b>	
Ambient temperature	0 ... 30 °C (32 ... 86 °F)
<b>Data for application in connection with Ex-areas</b>	
EC-Type Examination Certificate	FTZU 05 ATEX 0200X
Group, category, type of protection, temperature class	⊕ II 3 GD Ex nA tD A II T5 T75°C
<b>International approvals</b>	
GOST-R approval	GOST-R B02432
<b>Conformity</b>	
Protection degree	EN 60529
<b>General information</b>	
Supplementary information	EC-Type Examination Certificate, Statement of Conformity, Declaration of Conformity, Attestation of Conformity and instructions have to be observed where applicable. For information see <a href="http://www.pepperl-fuchs.com">www.pepperl-fuchs.com</a> .
<b>Accessories</b>	
Designation	1 x nylon non-armoured Ex e cable gland 1 x nylon Ex e sealing plug



### Dimensions (mm)



### Features

- Power 2 x 36 W
- Installation in Zone 2 and Zone 22
- Electronic HF control gear
- Suitable for 220-240V AC 50/60Hz operation
- Multiple locking points on diffuser that can be hinged from both sides
- Fast opening and closing of fitting via snap shut fasteners
- Anti-glare diffuser cover
- Stainless steel surface mounting brackets supplied as standard
- Minimum of 3 hour duration in emergency mode

### Technical data

#### Electrical specifications

Operating voltage	220 ... 240 V 50Hz / 60Hz
Operating current	0.32 A
Terminal capacity	2.5 mm <sup>2</sup> Connection block suitable for through wiring
Control gear	high frequency electronic ballast
Fitting type	Ceiling light fitting
Lamps	T26 bi-pin fluorescent tube
Number of lamps	2
Length	1200 mm ( 4 ft )
Power	2 x 36 W
Emergency operation	maintained
Operation time	3 h

#### Mechanical specifications

Cover fixing	stainless steel snap shut fasteners
Protection degree	IP66
Cable entry	
Number of cable entries	2 x M20 1 at each end
Material	
Housing	Polycarbonate
Lamp cover	Polycarbonate
Reflector	0.6 mm Mild steel
Finish	Body: as moulded reflector: epoxy powder coated, white
Seal	polyurethane foam
Mass	approx. 4.4 kg
Dimensions	
A	1290 mm
B	173 mm

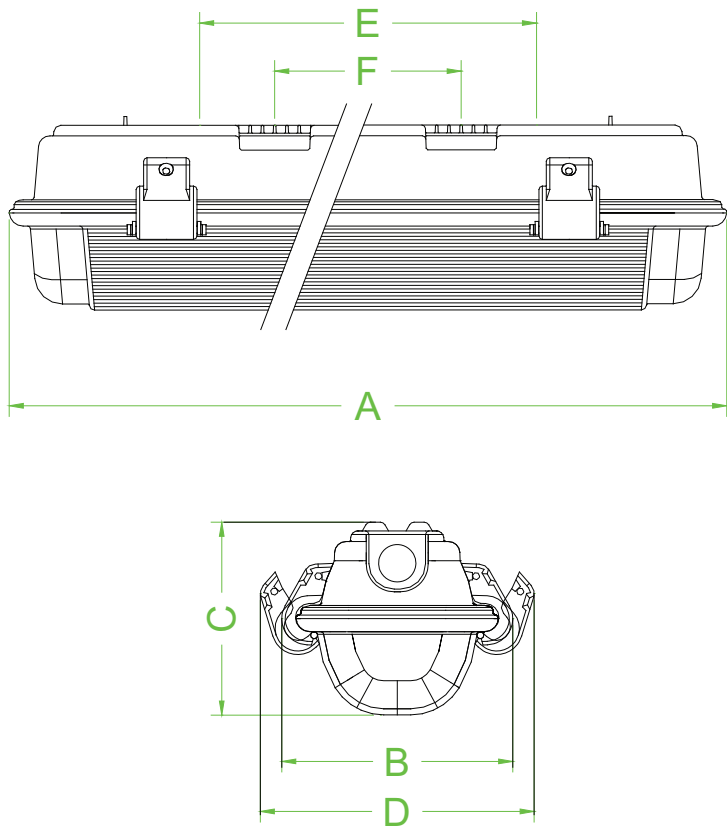
C	110 mm
D	230 mm
F	700 mm
Mounting	2 x stainless steel removable mounting brackets
Grounding	Internal connection
<b>Ambient conditions</b>	
Ambient temperature	0 ... 30 °C (32 ... 86 °F)
<b>Data for application in connection with Ex-areas</b>	
EC-Type Examination Certificate	FTZU 05 ATEX 0200X
Group, category, type of protection, temperature class	⊕ II 3 GD Ex nA tD A II T5 T75°C
<b>International approvals</b>	
GOST-R approval	GOST-R B02432
<b>Conformity</b>	
Protection degree	EN 60529
<b>General information</b>	
Supplementary information	EC-Type Examination Certificate, Statement of Conformity, Declaration of Conformity, Attestation of Conformity and instructions have to be observed where applicable. For information see <a href="http://www.pepperl-fuchs.com">www.pepperl-fuchs.com</a> .
<b>Accessories</b>	
Designation	1 x nylon non-armoured Ex e cable gland 3 x nylon Ex e sealing plugs



### Features

- Power 58 W
- Installation in Zone 2 and Zone 22
- Electronic HF control gear
- Suitable for 220-240V AC 50/60Hz operation
- Multiple locking points on diffuser that can be hinged from both sides
- Fast opening and closing of fitting via snap shut fasteners
- Anti-glare diffuser cover
- Stainless steel surface mounting brackets supplied as standard
- Minimum of 3 hour duration in emergency mode

### Dimensions (mm)



### Technical data

#### Electrical specifications

Operating voltage	220 ... 240 V 50Hz / 60Hz
Operating current	0.27 A
Terminal capacity	2.5 mm <sup>2</sup> Connection block suitable for through wiring
Control gear	high frequency electronic ballast
Fitting type	Ceiling light fitting
Lamps	T26 bi-pin fluorescent tube
Number of lamps	1
Length	1500 mm ( 5 ft )
Power	58 W
Emergency operation	maintained
Operation time	3 h

#### Mechanical specifications

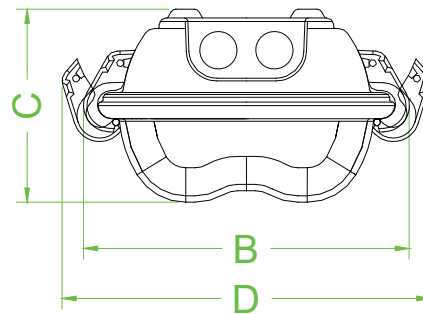
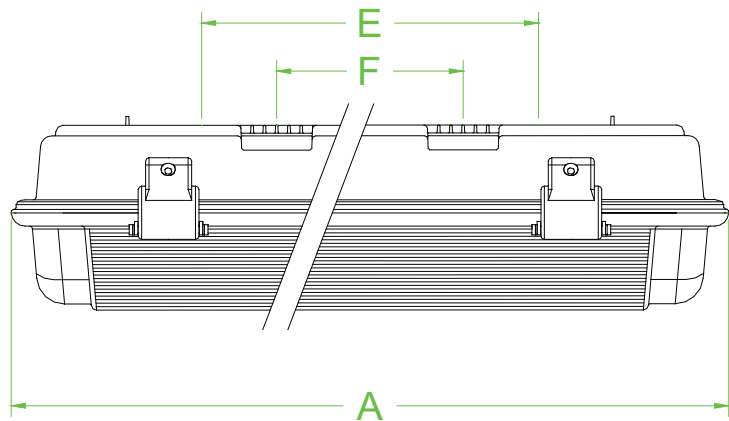
Cover fixing	stainless steel snap shut fasteners
Protection degree	IP66
Cable entry	
Number of cable entries	4 x M20 2 at each end
Material	
Housing	Polycarbonate
Lamp cover	Polycarbonate
Reflector	0.6 mm Mild steel
Finish	Body: as moulded reflector: epoxy powder coated, white
Seal	polyurethane foam
Mass	approx. 3.7 kg
Dimensions	
A	1590 mm
B	119 mm



C	110 mm
D	176 mm
F	1000 mm
Mounting	2 x stainless steel removable mounting brackets
Grounding	Internal connection
<b>Ambient conditions</b>	
Ambient temperature	0 ... 30 °C (32 ... 86 °F)
<b>Data for application in connection with Ex-areas</b>	
EC-Type Examination Certificate	FTZU 05 ATEX 0200X
Group, category, type of protection, temperature class	⊕ II 3 GD Ex nA tD A II T5 T75°C
<b>International approvals</b>	
GOST-R approval	GOST-R B02432
<b>Conformity</b>	
Protection degree	EN 60529
<b>General information</b>	
Supplementary information	EC-Type Examination Certificate, Statement of Conformity, Declaration of Conformity, Attestation of Conformity and instructions have to be observed where applicable. For information see <a href="http://www.pepperl-fuchs.com">www.pepperl-fuchs.com</a> .
<b>Accessories</b>	
Designation	1 x nylon non-armoured Ex e cable gland 1 x nylon Ex e sealing plug



### Dimensions (mm)



### Features

- Power 2 x 58 W
- Installation in Zone 2 and Zone 22
- Electronic HF control gear
- Suitable for 220-240V AC 50/60Hz operation
- Multiple locking points on diffuser that can be hinged from both sides
- Fast opening and closing of fitting via snap shut fasteners
- Anti-glare diffuser cover
- Stainless steel surface mounting brackets supplied as standard
- Minimum of 3 hour duration in emergency mode

### Technical data

#### Electrical specifications

Operating voltage	220 ... 240 V 50Hz / 60Hz
Operating current	0.51 A
Terminal capacity	2.5 mm <sup>2</sup> Connection block suitable for through wiring
Control gear	high frequency electronic ballast
Fitting type	Ceiling light fitting
Lamps	T26 bi-pin fluorescent tube
Number of lamps	2
Length	1500 mm ( 5 ft )
Power	2 x 58 W
Emergency operation	maintained
Operation time	3 h

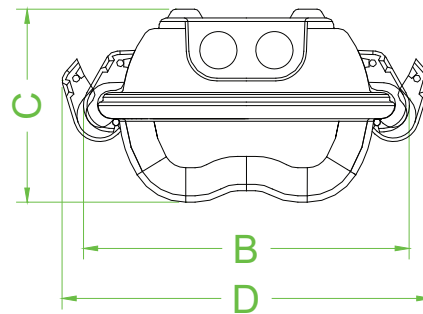
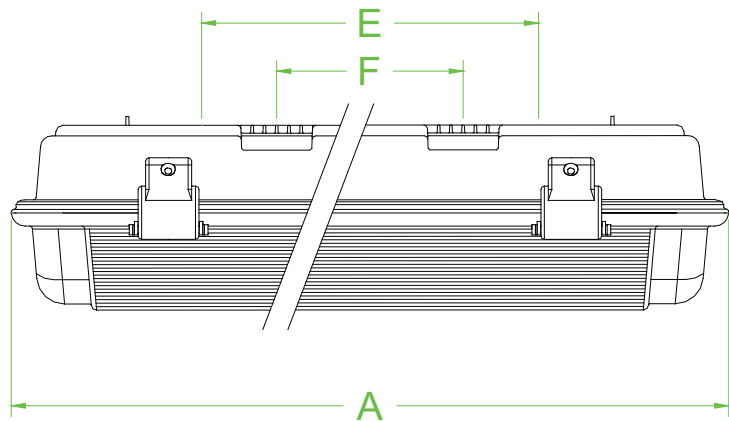
#### Mechanical specifications

Cover fixing	stainless steel snap shut fasteners
Protection degree	IP66
Cable entry	
Number of cable entries	4 x M20 2 at each end
Material	
Housing	Polycarbonate
Lamp cover	Polycarbonate
Reflector	0.6 mm Mild steel
Finish	Body: as moulded reflector: epoxy powder coated, white
Seal	polyurethane foam
Mass	approx. 5.3 kg
Dimensions	
A	1590 mm
B	173 mm

C	110 mm
D	230 mm
F	1000 mm
Mounting	2 x stainless steel removable mounting brackets
Grounding	Internal connection
<b>Ambient conditions</b>	
Ambient temperature	0 ... 30 °C (32 ... 86 °F)
<b>Data for application in connection with Ex-areas</b>	
EC-Type Examination Certificate	FTZU 05 ATEX 0200X
Group, category, type of protection, temperature class	⊕ II 3 GD Ex nA tD A II T5 T75°C
<b>International approvals</b>	
GOST-R approval	GOST-R B02432
<b>Conformity</b>	
Protection degree	EN 60529
<b>General information</b>	
Supplementary information	EC-Type Examination Certificate, Statement of Conformity, Declaration of Conformity, Attestation of Conformity and instructions have to be observed where applicable. For information see <a href="http://www.pepperl-fuchs.com">www.pepperl-fuchs.com</a> .
<b>Accessories</b>	
Designation	1 x nylon non-armoured Ex e cable gland 3 x nylon Ex e sealing plugs



### Dimensions (mm)



### Features

- Power 2 x 11 W
- Installation in Zone 2 and Zone 22
- Electronic HF control gear
- Multiple locking points on diffuser that can be hinged from both sides
- Fast opening and closing of fitting via snap shut fasteners
- Anti-glare diffuser cover
- Stainless steel surface mounting brackets supplied as standard

### Technical data

#### Electrical specifications

Operating voltage	220 ... 240 V 50Hz / 60Hz
Operating current	0.08 A
Terminal capacity	3 x 2.5 mm <sup>2</sup> Connection block suitable for through wiring
Control gear	high frequency electronic ballast
Fitting type	Bulkhead light fitting
Lamps	compact fluorescent lamp
Number of lamps	2
Power	2 x 11 W

#### Mechanical specifications

Cover fixing	stainless steel snap shut fasteners
Protection degree	IP66
Cable entry	
Number of cable entries	4 x M20 2 at each end
Material	
Housing	Polycarbonate
Lamp cover	Polycarbonate
Reflector	0.6 mm Mild steel
Finish	Body: as moulded reflector: epoxy powder coated, white
Seal	polyurethane foam
Mass	approx. 1.2 kg

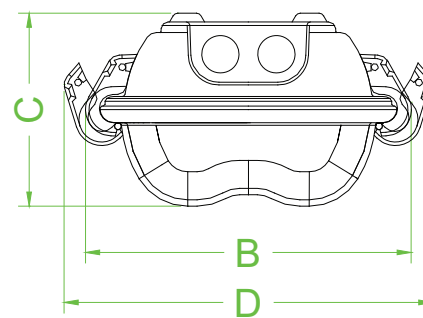
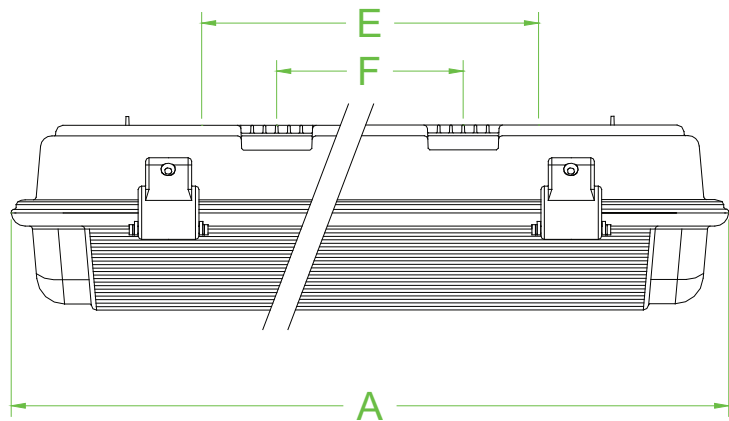
#### Dimensions

A	385 mm
B	173 mm
C	105 mm
D	230 mm
F	100 mm

Mounting	2 x stainless steel removable mounting brackets
Grounding	Internal connection
<b>Ambient conditions</b>	
Ambient temperature	-20 ... 40 °C (-4 ... 104 °F)
<b>Data for application in connection with Ex-areas</b>	
EC-Type Examination Certificate	FTZU 02 ATEX 0144X
Group, category, type of protection, temperature class	⊕ II 3 GD Ex nA tD A II T4 T87°C
<b>Conformity</b>	
Protection degree	EN 60529
<b>General information</b>	
Supplementary information	EC-Type Examination Certificate, Statement of Conformity, Declaration of Conformity, Attestation of Conformity and instructions have to be observed where applicable. For information see <a href="http://www.pepperl-fuchs.com">www.pepperl-fuchs.com</a> .
<b>Accessories</b>	
Designation	1 x nylon non-armoured Ex e cable gland 3 x nylon Ex e sealing plugs



### Dimensions (mm)



### Features

- Power 11 W
- Installation in Zone 2 and Zone 22
- Electronic HF control gear
- Multiple locking points on diffuser that can be hinged from both sides
- Fast opening and closing of fitting via snap shut fasteners
- Anti-glare diffuser cover
- Stainless steel surface mounting brackets supplied as standard
- Minimum of 3 hour duration in emergency mode
- LED status indication

### Technical data

#### Electrical specifications

Operating voltage	230 V 50Hz
Operating current	0.08 A
Terminal capacity	3 x 2.5 mm <sup>2</sup> Connection block suitable for through wiring
Control gear	high frequency electronic ballast
Fitting type	Bulkhead light fitting
Lamps	compact fluorescent lamp
Number of lamps	1
Power	11 W
Emergency operation	non-maintained
Operation time	3 h

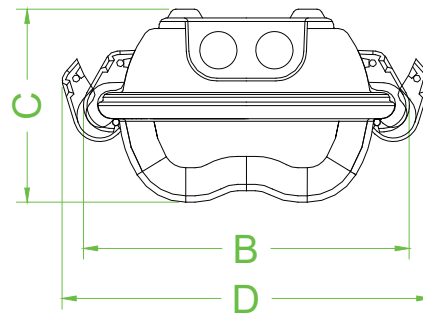
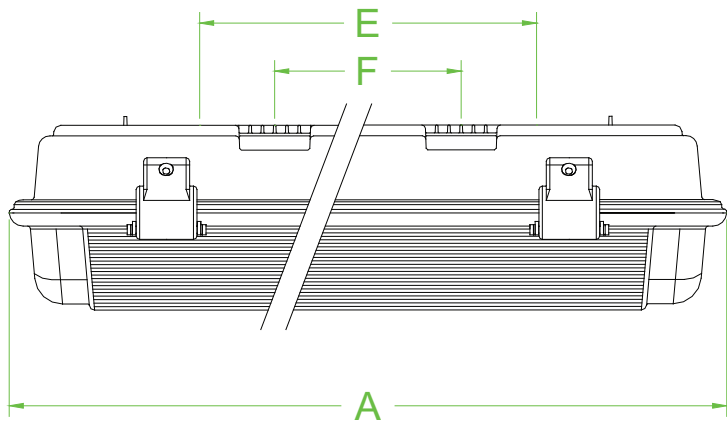
#### Mechanical specifications

Cover fixing	stainless steel snap shut fasteners
Protection degree	IP66
Cable entry	
Number of cable entries	4 x M20 2 at each end
Material	
Housing	Polycarbonate
Lamp cover	Polycarbonate
Reflector	0.6 mm Mild steel
Finish	Body: as moulded reflector: epoxy powder coated, white
Seal	polyurethane foam
Mass	approx. 1.8 kg
Dimensions	
A	385 mm
B	173 mm
C	105 mm

D	230 mm
F	100 mm
Mounting	2 x stainless steel removable mounting brackets
Grounding	Internal connection
<b>Ambient conditions</b>	
Ambient temperature	0 ... 30 °C (32 ... 86 °F)
<b>Data for application in connection with Ex-areas</b>	
EC-Type Examination Certificate	FTZU 04 ATEX 0219X
Group, category, type of protection, temperature class	⊕ II 3 GD Ex nR tD A II T6 T45°C
<b>Conformity</b>	
Protection degree	EN 60529
<b>General information</b>	
Supplementary information	EC-Type Examination Certificate, Statement of Conformity, Declaration of Conformity, Attestation of Conformity and instructions have to be observed where applicable. For information see <a href="http://www.pepperl-fuchs.com">www.pepperl-fuchs.com</a> .
<b>Accessories</b>	
Designation	1 x nylon non-armoured Ex e cable gland 3 x nylon Ex e sealing plugs



### Dimensions (mm)



### Features

- Power 9 W
- Installation in Zone 2 and Zone 22
- Electronic HF control gear
- Multiple locking points on diffuser that can be hinged from both sides
- Fast opening and closing of fitting via snap shut fasteners
- Anti-glare diffuser cover
- Stainless steel surface mounting brackets supplied as standard
- Minimum of 3 hour duration in emergency mode
- LED status indication

### Technical data

#### Electrical specifications

Operating voltage	230 V 50Hz
Operating current	0.08 A
Terminal capacity	3 x 2.5 mm <sup>2</sup> Connection block suitable for through wiring
Control gear	high frequency electronic ballast
Fitting type	Bulkhead light fitting
Lamps	compact fluorescent lamp
Number of lamps	1
Power	9 W
Emergency operation	non-maintained
Operation time	3 h

#### Mechanical specifications

Cover fixing	stainless steel snap shut fasteners
Protection degree	IP66
Cable entry	
Number of cable entries	4 x M20 2 at each end
Material	
Housing	Polycarbonate
Lamp cover	Polycarbonate
Reflector	0.6 mm Mild steel
Finish	Body: as moulded reflector: epoxy powder coated, white
Seal	polyurethane foam
Mass	approx. 1.8 kg
Dimensions	
A	385 mm
B	173 mm
C	105 mm



D	230 mm
F	100 mm
Mounting	2 x stainless steel removable mounting brackets
Grounding	Internal connection
<b>Ambient conditions</b>	
Ambient temperature	0 ... 30 °C (32 ... 86 °F)
<b>Data for application in connection with Ex-areas</b>	
EC-Type Examination Certificate	FTZU 04 ATEX 0219X
Group, category, type of protection, temperature class	⊕ II 3 GD Ex nR tD A II T6 T45°C
<b>Conformity</b>	
Protection degree	EN 60529
<b>General information</b>	
Supplementary information	EC-Type Examination Certificate, Statement of Conformity, Declaration of Conformity, Attestation of Conformity and instructions have to be observed where applicable. For information see <a href="http://www.pepperl-fuchs.com">www.pepperl-fuchs.com</a> .
<b>Accessories</b>	
Designation	1 x nylon non-armoured Ex e cable gland 3 x nylon Ex e sealing plugs

# PROCESS AUTOMATION – PROTECTING YOUR PROCESS



For over a half century, Pepperl+Fuchs has been continually providing new concepts for the world of process automation. Our company sets standards in quality and innovative technology. We develop, produce and distribute electronic interface modules, Human-Machine Interfaces and hazardous location protection equipment on a global scale, meeting the most demanding needs of industry. Resulting from our world-wide presence and our high flexibility in production and customer service, we are able to individually offer complete solutions – wherever and whenever you need us. We are the recognized experts in our technologies – Pepperl+Fuchs has earned a strong reputation by supplying the world's largest process industry companies with the broadest line of proven components for a diverse range of applications.

## Northern Europe Headquarters

Pepperl+Fuchs GB Ltd.  
Oldham · England  
Tel. +44 161 6336431  
E-Mail: [sales@gb.pepperl-fuchs.com](mailto:sales@gb.pepperl-fuchs.com)

For the Pepperl+Fuchs representative  
closest to you check [www.pepperl-fuchs.com/pfcontact](http://www.pepperl-fuchs.com/pfcontact)

[www.pepperl-fuchs.com](http://www.pepperl-fuchs.com)

Subject to modifications  
Copyright Pepperl+Fuchs

 **PEPPERL+FUCHS**  
*PROTECTING YOUR PROCESS*