



Technical data

Input Voltage	100-240 VAC, 47-63 Hz
Output Voltage	12 VDC
Current	2.5 A
Dimensions	127 x 76.2 x 33 mm (5.0 x 3.0 x 1.3 in)
Operating Temp	0 °C to 60° C
Rating	cULus
For use with	510 & 512 series, general-purpose, enclosed, & chassis mount models

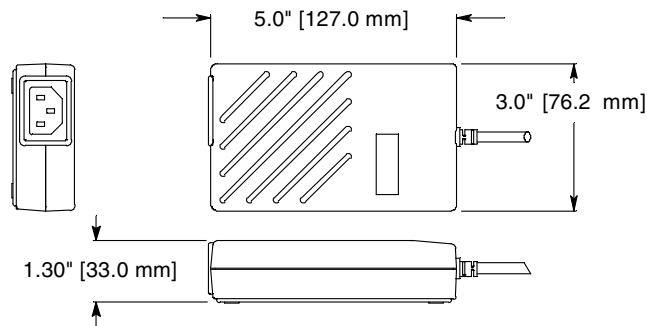
Features

- DC power supply
- 25 Watt

Function

Incoming wide-ranging AC to a detachable line cord. Molded DC side connector to the monitor. .

Diagrams



Edition xxxxxx 022008



Technical data

Input Voltage	100-240 VAC, 47-63 Hz
Output Voltage	12 VDC
Current	4.15 A
Dimensions	127 x 76.2 x 33 mm (5.0 x 3.0 x 1.3 in)
Operating Temp	0° to 40° C
Rating	cULus
For use with	515 series, general-purpose, enclosed, & chassis mount models

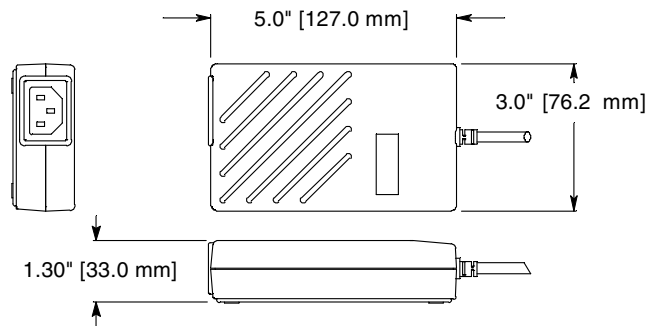
Features

- DC power supply
- 40 Watt

Function

Incoming wide-ranging AC to a detachable line cord. Molded DC side connector to the monitor.

Diagrams



Edition xxxxxx 022008



Technical data

Input Voltage	88-264 VAC, 47-63 Hz
Output Voltage	12 VDC
Current	8.5 A
Dimensions	152.4 x 97 x 38.1 mm (6.0 x 3.82 x 1.5 in)
Operating Temp	-25° to 50° C
Rating	cULus
For use with	518, 519, & 520 series, general-purpose, enclosed, & chassis mount models

Features

- DC power supply
- 100 Watt

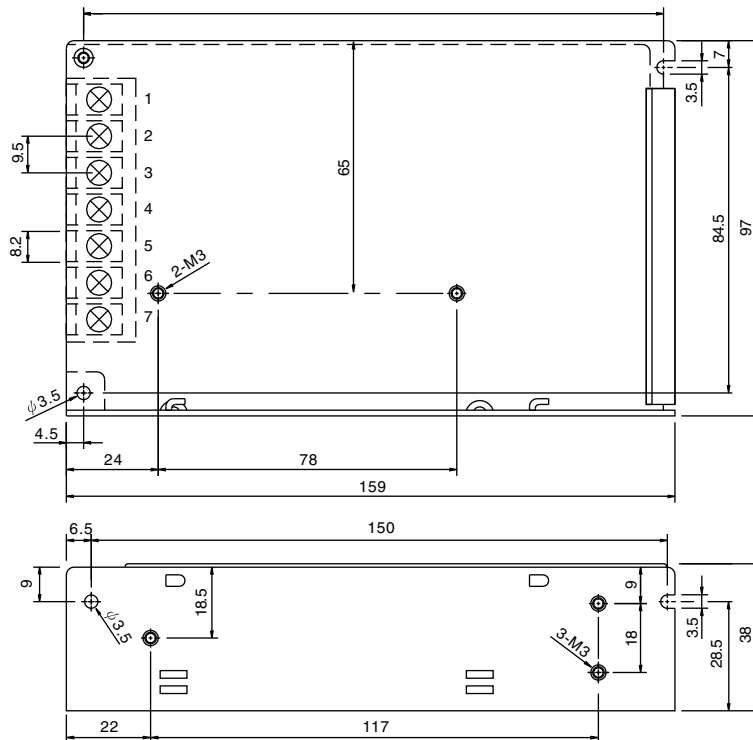
Function

Wide ranging AC input. Screw terminal connections for AC primary and DC secondary.

Diagrams

Terminal Pin No Assignment

Pin No.	Assignment
1	AC/L
2	AC/N
3	FG
4, 5	DC Output -V
6, 7	DC Output +V



Edition xxxxxx 022008



Technical data

Input Voltage	85-264 VAC, 50/60 Hz
Output Voltage	12 VDC
Current	2.5 A
Dimensions	119.6 x 64.8 x 32.8 mm (4.71 x 2.55 x 1.29 in)
Operating Temp	-25° to 65° C
Rating	cULus
For use with	510, 512 & 515 series, general-purpose, enclosed, & chassis mount models

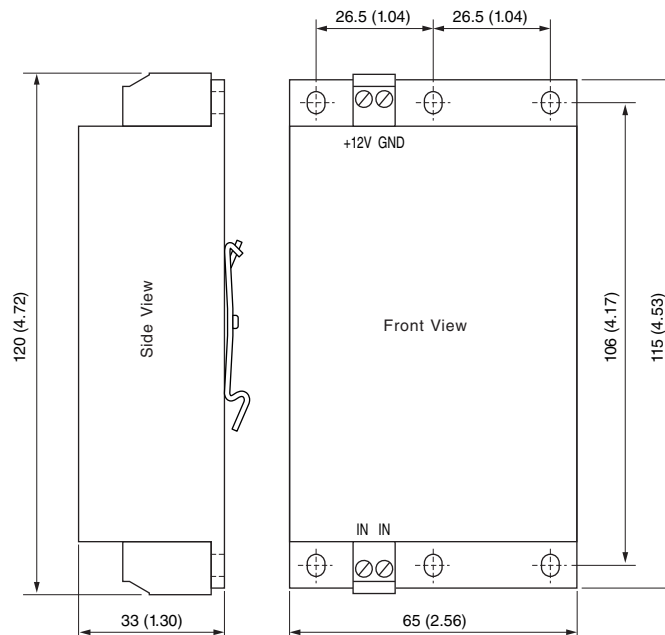
Features

- DC power supply
- 30 Watt

Function

Wide ranging AC input. Screw terminal connections for AC primary and DC secondary.

Diagrams



Edition xxxxxx 022008



Technical data

Input Voltage	88-264 VAC, 47-63 Hz
Output Voltage	12 VDC
Current	6.3 A
Dimensions	125.2 x 100.1 x 55.6 mm (4.93 x 3.94 x 2.19 in)
Operating Temp	-10° to 50° C
Rating	cULus
For use with	518, 519, & 520 series, general-purpose, enclosed, & chassis mount models

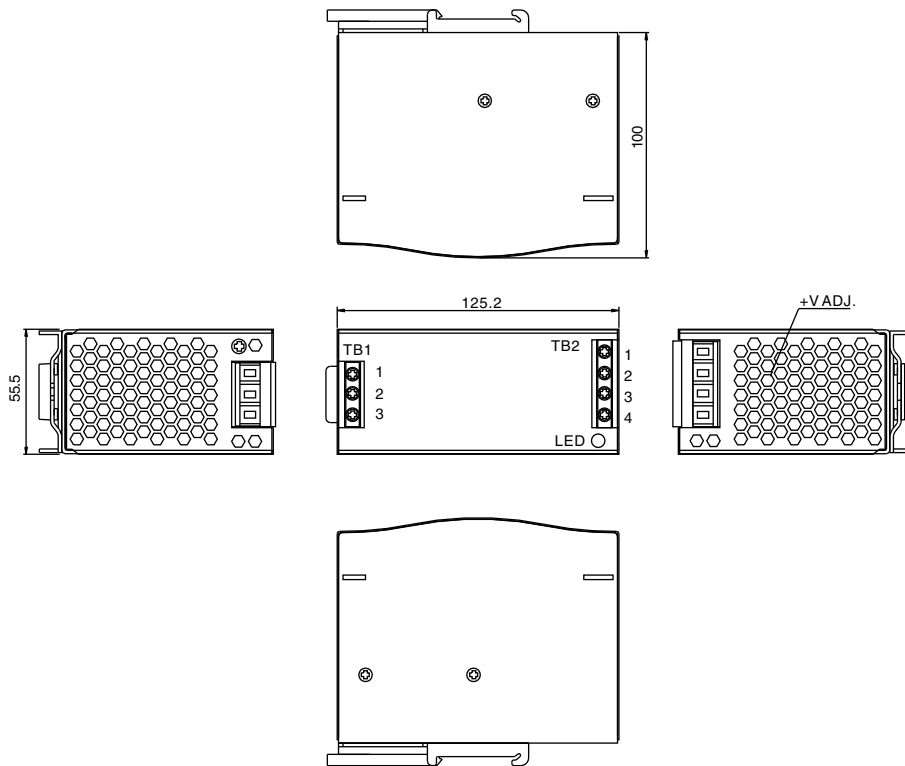
Features

- DC power supply
- 75 Watt

Function

Wide ranging AC input. Screw terminal connections for AC primary and DC secondary.

Diagrams



Edition xxxxxx 022008

Subject to modifications without notice

Pepperl+Fuchs Group
www.pepperl-fuchs.com

USA: +1 330 486 0002
pa-info@us.pepperl-fuchs.com

Germany: +49 621 776 2222
pa-info@de.pepperl-fuchs.com

Copyright Pepperl+Fuchs
Singapore: +65 6779 9091
pa-info@sg.pepperl-fuchs.com



Technical data

Input Voltage	85-265 VAC, 50/60 Hz
Output Voltage	12 VDC
Current	1.5 A
Dimensions	90.4 x 62.5 x 52.1 mm (3.56 x 2.46 x 2.05 in)
Operating Temp	-20° to 50° C
Rating	CSA, Class I/Div 2
For use with	510 & 512 series, Class I, Div. 2 models

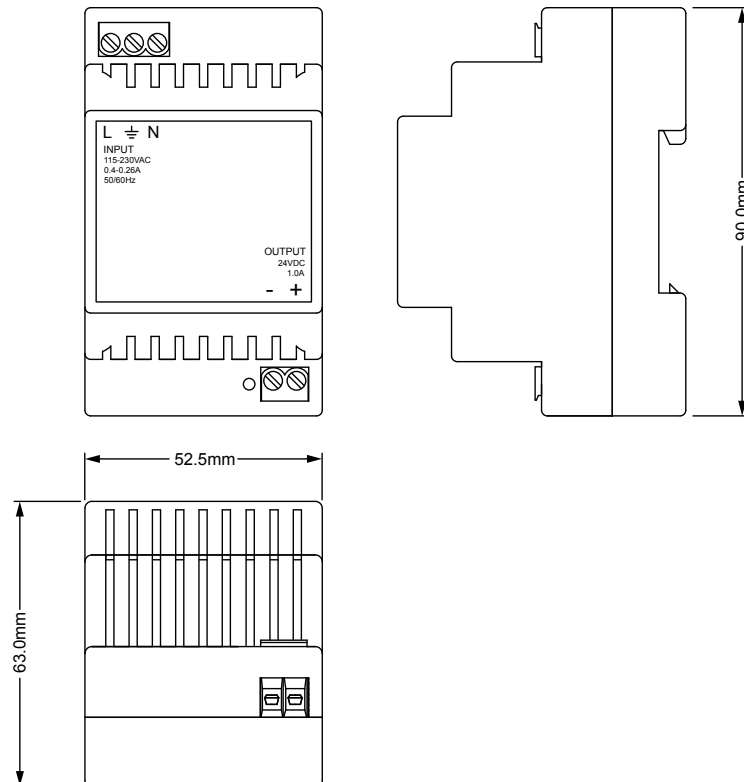
Features

- DC power supply
- 20 Watt

Function

DC power supply - 20 Watt, DIN rail mount, for Class I Division 2 areas

Diagrams



Edition xxxxxx 022008



Technical data

Input Voltage	93-132 VAC/187-264 VAC, 47-63 Hz
Output Voltage	12 VDC
Current	6.0 A
Dimensions	114.6 x 89.9 x 56.6 mm (4.51 x 3.54 x 2.23 in)
Operating Temp	-25° to 50° C
Rating	cULus, Class I/Div 2
For use with	515, 518, & 520 series, Class I, Div. 2 models

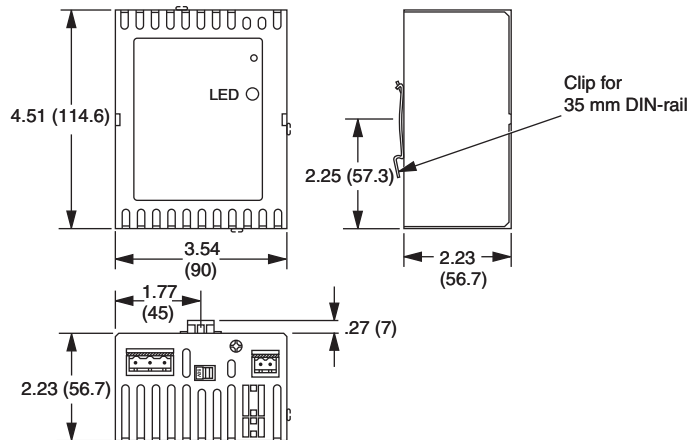
Features

- DC power supply
- 75 Watt

Function

DC power supply - 75 Watt, DIN rail mount, for Class I Division 2 areas

Diagrams



Edition xxxxxx 022008

Power Cables

Function

DC power supply cables with a 5-pin, male connector are available in assorted lengths to connect customer-supplied power.

Model	Length: meters (feet)
PSCBL6	1.83 (6)
PSCBL10	3.05 (10)
PSCBL25	7.62 (25)



Serial Touchscreen Cables

Function

Serial cables are available in a variety of lengths that have a male end at the monitor and a female end at the computer.

Model	Length: meters (feet)
SCBL6	1.83 (6)
SCBL10	3.05 (10)
SCBL15	4.57 (15)
SCBL25	7.62 (25)
SCBL50	15.24 (50)
SCBL75	22.86 (75)
SCBL100	30.48 (100)



USB Touchscreen Cables

Function

USB cables have an "A" type and "B" type end with or without a repeater.

Model	Length: meters (feet)
UCBL6	1.83 (6)
UCBL10	3.05 (10)
UCBL15	4.57 (15)



Video Cables

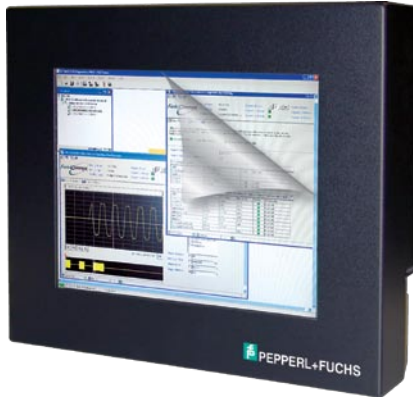
Function

High-quality cables are available in a wide range of lengths to connect a 15-pin VGA connector on the monitor and the video port on your computer.

Model	Length: meters (feet)
VCBL6	1.83 (6)
VCBL10	3.05 (10)
VCBL15	4.57 (15)
VCBL25	7.62 (25)
VCBL50	15.24 (50)
VCBL75	22.86 (75)
VCBL100	30.48 (100)



Screen Protectors



Model	Description (5 protectors/pack)
TSP10-5	DM510 family
TSP12-5	DM512 family
TSP15-5	DM515 family
TSP18-5	DM518 family
TSP19-5	DM519 family
TSP20-5	DM520 family

Function

Pepperl+Fuchs touchscreen protectors provide protection from grease, scratches, fingerprints, and unwanted marks. They supply a tough and durable surface and prevent damage to your screen.